



T4 Turret

The Next Generation of IP Trade turrets
DATASHEET

FOR TRADERS WHO DEMAND THE VERY BEST IN PERFORMANCE



WWW.IPTRADE-NETWORKS.COM



High-Performance, Unified Trading Communications & Collaboration



T4, the next generation turret that revolutionizes the integration between the trading room and all other environments of unified communications and also matches the styling and usability of the most advanced tablets in the market.

The T4 turret commands minimal desktop foot print whilst maintaining a 15" colour rich LCD display. The sleek design is coupled with up to four high fidelity speakers, microphone, and two durable trading room handsets, 4 adjustable viewing angles ensuring optimal visibility. The T4 will sit comfortably within a technology rich environment.

The latest in touchscreen technology ensures that the T4 is both a true turret as well as a multi-application tablet. Enabling applications such as videoconferencing, web apps, custom apps, click to dial, unified contacts, multi directory access, etc. are even simpler to use thanks to zooming and sliding screen features.

Recording

To ensure your Trading environment complies to MIFID and DODD Frank regulations, IP Trade has an open architecture and standard application programming interface (API) enabling seamless integration with industry leading media recording platforms. (the list of current models and versions supported is available from your sales representative).

Trading communications without limits

Get in touch with more than 10.000 professional contacts with the enterprise directory at your fingertips. Communicate seamlessly with other financial institutions, clients, colleagues or partners via private wire, hoots, landline, mobile connections and with all trader communities. The perfect integration of the IP Trade solutions within unified communications networks, eliminates barriers and provides traders with the unique functions they require.



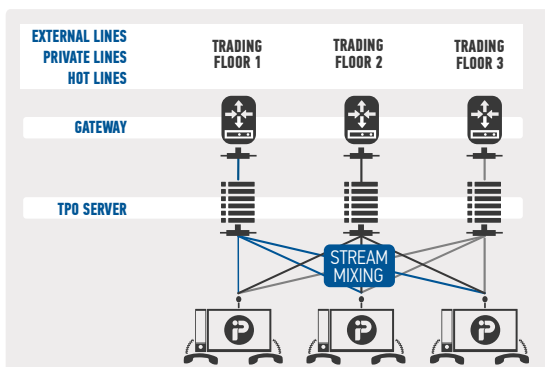
MOBILITY

The Mobile Trader application range offers seamless mobility from the T4, to Android or web platforms (including Apple iPhones) or on Windows. Mobile Trader allows remote working and Disaster Recovery solutions. With a user authentication, each user can work from any turret, telephone, tablet or from a disaster recovery center without losing functionalities, profile, contacts or even call history.

Functional description

The T4 is an integrated turret, based on the IP Trade voice architecture and dedicated components for the highest quality and performance. It combines a conventional and highly flexible Intel architecture with Windows 7 embedded providing a natural integration of applications.

| CAPABILITY | DESCRIPTION |
|--------------------------------------|--|
| Display | Capacitive Touchscreen 15" 16/9 |
| Handsets | Push-to-talk, Push-to-mute, Volume control, Red/Blue LEDs (left and right) |
| Loud Speakers | Amplified loudspeakers, Volume control – Side speakers (can be removed) |
| Speaker control | Global per line, Sound activity detection displayed on screen |
| Microphone | High-Fidelity gooseneck microphone |
| Simultaneous calls | 32 (2 handsets, 30 on monitoring applet) |
| Contact | 10.000, (140 visible simultaneously by default), unlimited pages and shared pages |
| Supported Line types | SIP, Public network, Trader Lines (automatic/manual ringdown) hoot'n holler |
| Call control via Touch screen | On Hold, Mute, Transfer, Dispatch, Conference, Call Back, Priority Lines, ... |
| Customisation | Variable background/button colors, private contacts, personalized ringdowns, languages (English, French, Dutch, German, Russian) |
| USB Ports | 8 ports (for headsets and wireless headsets, foot pedals, keyboard, mouse, webcam etc) |
| Webcam | External (USB) |
| Telepresence | Integration with Cisco-Tandberg |
| Applications | Replay on turret, dial from outlook, chrome or firefox, Corporate Directory (LDAP), ... |



Voice and Video application management

Each T4 turret is connected to the IP Trade software-defined media processing application called the Turret Proxy Openline (TPO) and to the PBX. The TPO can be installed on a virtual server with redundancy configurations that guarantees high availability & connectivity. The TPO acts as a standard unified communication network extension by using SIP (Session Initialization Protocol) for connection and provides advanced trader functions.

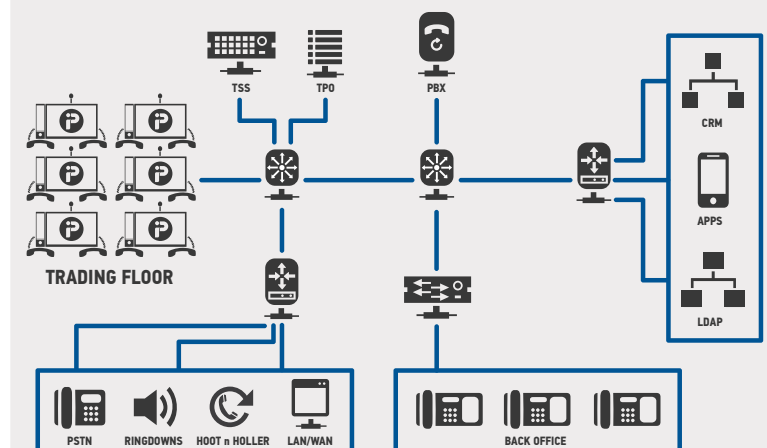
Management

The Turret Support Server (TSS) is a web-based management and database application that enables system configuration and management while acting as a central source for user profiles, enabling secure user authentication and system data storing. The TSS is also a gateway to other enterprise information systems and applications that may be integrated into the trading floor environment.

The powerful administration services include:

- T4 Turret configuration
- Monitoring, Management and Reports
- Authenticator and multi level security
- System database
- Application Integration
- System software update/upgrade tools

Solution Architecture





About IP Trade

IP Trade is a pioneer in the design of advanced SIP (Session Initiation Protocol) communications and has established itself as a leading provider of ultra-reliable, high-capacity unified communications and collaboration (UC&C) solutions designed for environments where “always-on” instant communications capabilities are required.

IP Trade SA solutions are marketed under the IP Trade, IP Command brands and are used in a variety of industry sectors including: capital markets, commodities, government, healthcare, investment management, military, transportation and utilities. Applications include: air traffic control, dispatch services, emergency services, financial trading, logistics, mission control, network operations, power transmission and public safety.

The company has its headquarters established in Belgium (Liege) and has offices in Asia, Europe and the USA and representation through partners in about 40 countries.

To learn more about IP Trade Solutions
Contact: info@iptrade-networks.com
or for more information
Visit: www.iptrade-networks.com



Belgium (Headquarters)

Liège Logistics,
Rue de l'Aéropostale, 8
4460 Grâce-Hollogne

Phone: + 32 4 364 04 69
info@iptrade-networks.com

IP Trade Offices

London

6th Floor, Becket House,
36 Old Jewry,
London, EC2R 8DD

Phone: + 44 203 178 4448
info-uk@iptrade-networks.com

Paris

19 Boulevard Malesherbes,
75008 Paris

Phone: +33 1 55 27 37 57
info@iptrade-networks.com

New York

1500 Broadway
Fifth Floor, Suite 505
New York, NY 10036

Phone: 888 844 8440
Fax: 212 361 0059
info-us@iptrade-networks.com

Frankfurt

Herriotstrasse 1,
60528 Frankfurt

Phone: +49 69 661 629 70
info@iptrade-networks.com

Hong Kong

Room 1102
Lee Garden One, 33 Hysan
Avenue, Causeway Bay,
Hong Kong

Phone: + 852 3959 8645
info@iptrade-networks.com

WWW.IPTRADE-NETWORKS.COM